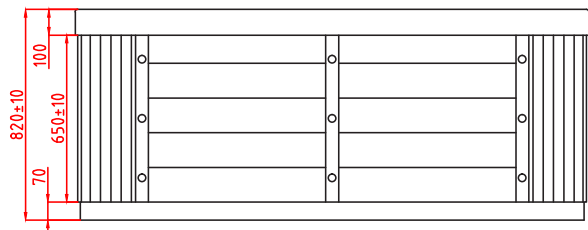
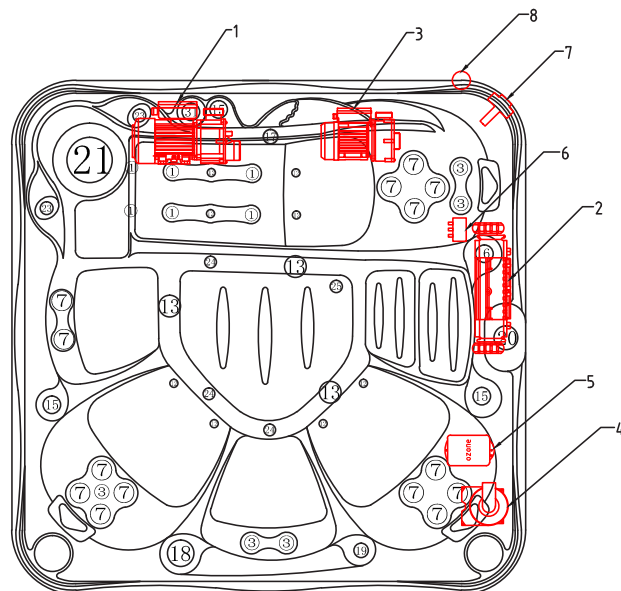
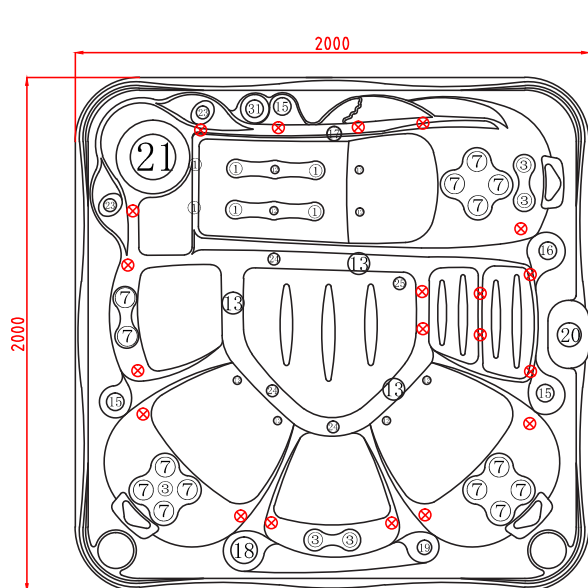


TINOS



Item	name	number	Item	name	number
1	LX Whirlpool Pump (LP300)	1	2	Balboa BP6013G2 System	1
3	LX Circulate Pump (WIC50)	1	4	Air Blower	1
5	Ozonizer Generator	1	6	LED Synchronizer	1
7	Drain	1	8	Cable Hole	1

Item	name	hole size	number	Item	name	hole size	number
1	2"directional jet	∅38	6	3	2.5"directional jet	∅46	5
7	3.5"double roto jet	∅65	14	12	air jet	∅30	6
13	200GPM suction	∅85	3	15	air regulator	∅44	3
16	water controler	∅56	1	17	LED light	∅95	1
18	water diverter	∅80	1	19	aromatherapy	∅44	1
20	TP500S panel	/	1	21	filter	/	1
23	water scape	∅38	2	24	Circulating nozzle	∅30	3
25	drain	∅32	1	31	Cup stand	∅66	2
X	Waterline LED lights	∅12	20				