



# SARIA

COLLECTION RÉVÉLATION

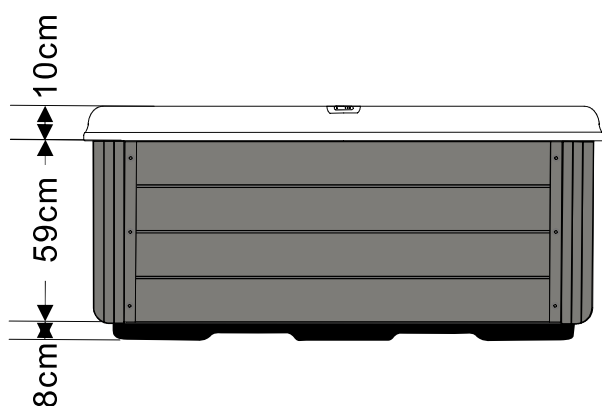
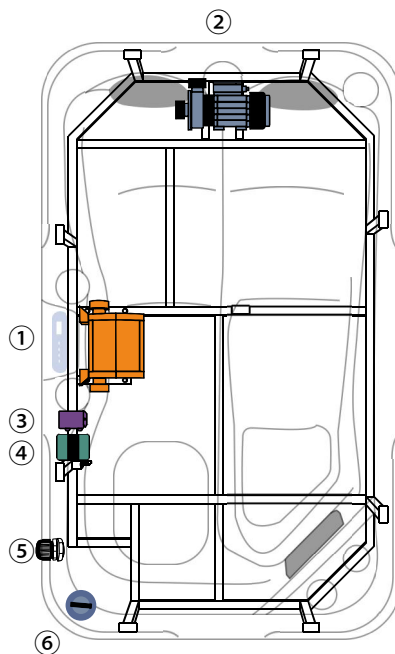
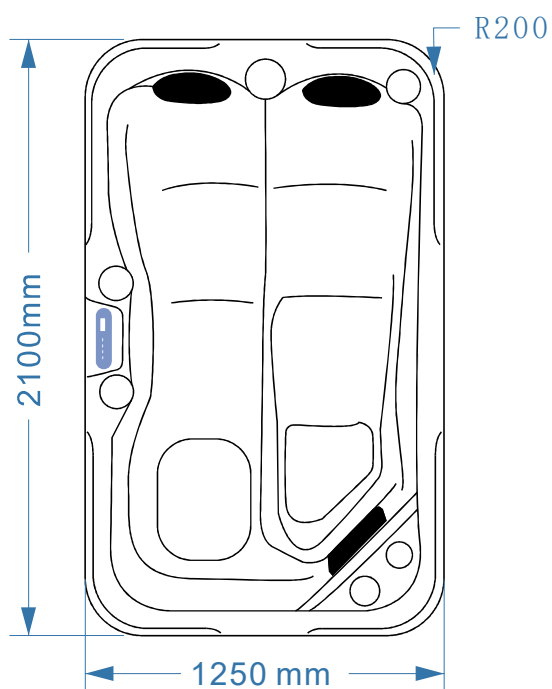








## 黑旋风系列喷嘴

	名称	描述	∅	pcs
1	50# jet			4
2	2 L-4102S			22
3	Small lighting			12

# SARIA

COLLECTION RÉVÉLATION



No.	Items	Part n°
①		Controller Balboa BP200G1
②		Massage the water pump (WP300-II)
③		Synchronizer: KLEDS-3 (new one)
④		Ozone: KOZG-1
⑤		PG head
⑥		Drain water